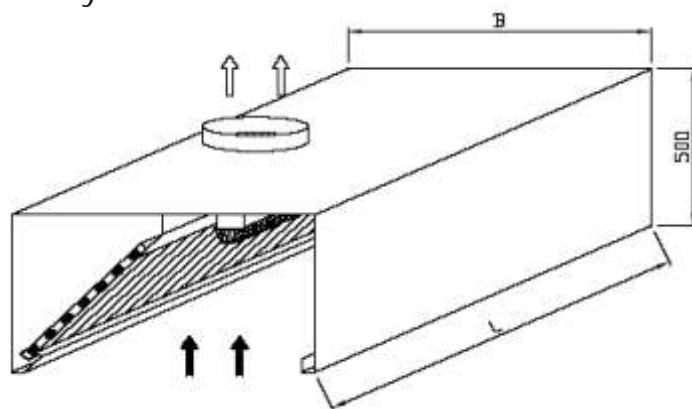


Okap przy cienny
DC 1010

Cennik

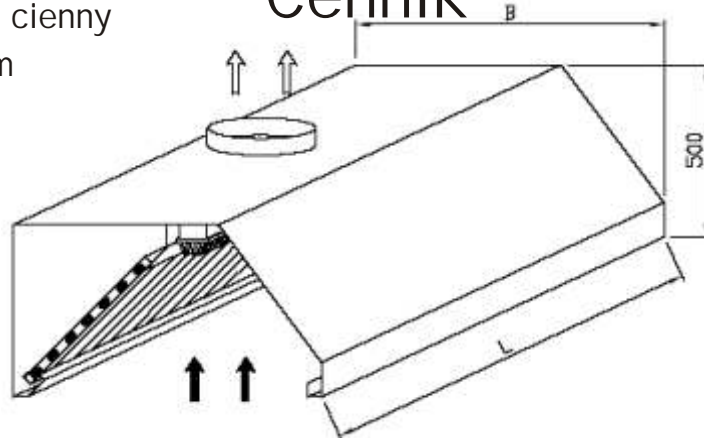


| L \ B (mm) | DC 1010 cena zł/szt. netto | | | | | Wyposażenie zł/kpl | |
|---------------|----------------------------|---------|---------|---------|---------|--------------------|-------------|
| | 600 | 700 | 900 | 1000 | 1200 | Filtry | O wietlenie |
| 1000 | 929,50 | 995,50 | 1122,00 | 1204,50 | 1391,50 | 253,00 | 275,00 |
| 1100 | 1006,50 | 1061,50 | 1226,50 | 1281,50 | 1446,50 | 280,50 | 275,00 |
| 1200 | 1045,00 | 1100,00 | 1270,50 | 1325,50 | 1496,00 | 308,00 | 275,00 |
| 1300 | 1155,00 | 1210,00 | 1391,50 | 1452,00 | 1633,50 | 357,50 | 275,00 |
| 1400 | 1188,00 | 1248,00 | 1434,50 | 1496,00 | 1683,00 | 379,50 | 275,00 |
| 1500 | 1210,00 | 1270,50 | 1463,00 | 1529,00 | 1710,50 | 407,00 | 275,00 |
| 1600 | 1237,50 | 1298,00 | 1490,50 | 1551,00 | 1743,50 | 434,50 | 275,00 |
| 1700 | 1276,00 | 1342,00 | 1535,50 | 1600,50 | 1793,00 | 456,50 | 275,00 |
| 1800 | 1314,50 | 1386,00 | 1584,00 | 1650,00 | 1853,50 | 484,00 | 330,00 |
| 1900 | 1353,00 | 1424,50 | 1628,00 | 1699,50 | 1903,00 | 506,00 | 330,00 |
| 2000 | 1391,50 | 1463,00 | 1672,00 | 1743,50 | 1952,50 | 533,50 | 330,00 |
| 2100 | 1465,00 | 1540,00 | 1754,50 | 1826,00 | 2040,50 | 561,00 | 330,00 |
| 2200 | 1501,50 | 1578,50 | 1798,50 | 1875,50 | 2090,00 | 583,00 | 330,00 |
| 2300 | 1578,50 | 1655,50 | 1875,50 | 1958,00 | 2178,00 | 583,00 | 330,00 |
| 2400 | 1611,50 | 1694,00 | 1919,50 | 2002,00 | 2227,50 | 610,50 | 330,00 |
| 2500 | 1683,00 | 1765,50 | 1996,50 | 2079,00 | 2310,00 | 632,50 | 396,00 |
| 2600 | 1727,00 | 1809,50 | 2046,00 | 2134,00 | 2370,50 | 660,00 | 396,00 |
| 2700 | 1793,00 | 1881,50 | 2123,00 | 2211,00 | 2453,00 | 687,50 | 396,00 |
| 2800 | 1837,00 | 1925,00 | 2172,00 | 2233,00 | 2508,00 | 709,50 | 396,00 |
| 2900 | 1886,50 | 1975,50 | 2211,00 | 2271,50 | 2568,50 | 737,00 | 396,00 |

Zawiesia ła kuchowe do okapu przy ciennego 2 x 1 m. dost pne za dopłat 30 zł.

Okap przy cienny
ze ci ciem
DC 1011

Cennik

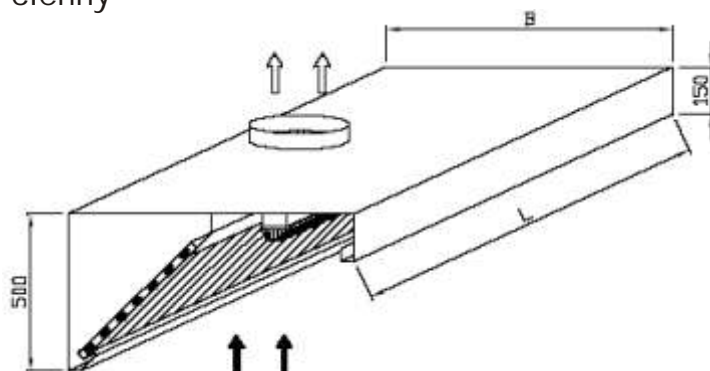


| L \ B (mm) | DC 1011 cena zł/szt. netto | | | | | Wyposażenie zł/kpl | |
|---------------|----------------------------|---------|---------|---------|---------|--------------------|-------------|
| | 600 | 700 | 900 | 1000 | 1200 | Filtry | O wietlenie |
| 1000 | 902,00 | 962,50 | 1105,50 | 1171,50 | 1221,00 | 253,00 | 275,00 |
| 1100 | 957,00 | 1012,00 | 1177,00 | 1232,00 | 1259,50 | 280,50 | 275,00 |
| 1200 | 990,00 | 1045,00 | 1215,50 | 1270,50 | 1292,50 | 308,00 | 275,00 |
| 1300 | 1067,00 | 1149,50 | 1331,00 | 1391,50 | 1408,00 | 357,50 | 275,00 |
| 1400 | 1122,00 | 1182,50 | 1369,50 | 1430,00 | 1435,50 | 379,50 | 275,00 |
| 1500 | 1138,50 | 1204,50 | 1391,50 | 1457,50 | 1424,50 | 407,00 | 275,00 |
| 1600 | 1166,00 | 1226,50 | 1419,00 | 1479,50 | 1468,50 | 434,50 | 275,00 |
| 1700 | 1199,00 | 1265,00 | 1457,50 | 1523,50 | 1501,50 | 456,50 | 275,00 |
| 1800 | 1232,00 | 1303,50 | 1501,50 | 1567,50 | 1545,50 | 484,00 | 330,00 |
| 1900 | 1270,50 | 1336,50 | 1540,00 | 1611,50 | 1578,50 | 506,00 | 330,00 |
| 2000 | 1303,50 | 1375,00 | 1584,00 | 1655,50 | 1611,50 | 533,50 | 330,00 |
| 2100 | 1369,50 | 1446,50 | 1661,00 | 1732,50 | 1677,50 | 561,00 | 330,00 |
| 2200 | 1402,50 | 1479,50 | 1699,50 | 1775,50 | 1716,00 | 583,00 | 330,00 |
| 2300 | 1474,00 | 1551,00 | 1771,00 | 1853,50 | 1782,00 | 583,00 | 330,00 |
| 2400 | 1501,50 | 1584,00 | 1809,50 | 1892,00 | 1815,00 | 610,50 | 330,00 |
| 2500 | 1567,50 | 1650,00 | 1881,00 | 1969,00 | 1881,00 | 632,50 | 396,00 |
| 2600 | 1606,00 | 1694,00 | 1930,50 | 2018,50 | 1919,50 | 660,00 | 396,00 |
| 2700 | 1672,00 | 1760,00 | 2002,00 | 2090,00 | 1991,00 | 687,50 | 396,00 |
| 2800 | 1710,50 | 1798,50 | 2046,00 | 2106,50 | 2024,00 | 709,50 | 396,00 |
| 2900 | 1765,50 | 1848,00 | 2090,00 | 2150,50 | 2079,00 | 737,00 | 396,00 |

Zawiesia ła kuchowe do okapu przy ciennego 2 x 1 m. dost pne za dopłat 30 zł.

Okap przy cienny
sko ny
DC 1012

Cennik

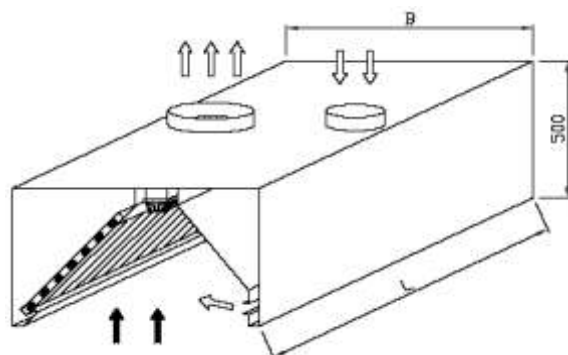


| L\B (mm) | DC 1012 cena zł/szt. netto | | | | | Wyposa enie zł/kpl | |
|-------------|----------------------------|---------|---------|---------|---------|--------------------|-------------|
| | 600 | 700 | 900 | 1000 | 1200 | Filtry | O wietlenie |
| 1000 | 902,00 | 962,50 | 1105,50 | 1171,50 | 1221,00 | 253,00 | 275,00 |
| 1100 | 957,00 | 1012,00 | 1177,00 | 1232,00 | 1259,50 | 280,50 | 275,00 |
| 1200 | 990,00 | 1045,00 | 1215,50 | 1270,50 | 1292,50 | 308,00 | 275,00 |
| 1300 | 1067,00 | 1149,50 | 1331,00 | 1391,50 | 1408,00 | 357,50 | 275,00 |
| 1400 | 1122,00 | 1182,50 | 1369,50 | 1430,00 | 1435,50 | 379,50 | 275,00 |
| 1500 | 1138,50 | 1204,50 | 1391,50 | 1457,50 | 1424,50 | 407,00 | 275,00 |
| 1600 | 1166,00 | 1226,50 | 1419,00 | 1479,50 | 1468,50 | 434,50 | 275,00 |
| 1700 | 1199,00 | 1265,00 | 1457,50 | 1523,50 | 1501,50 | 456,50 | 275,00 |
| 1800 | 1232,00 | 1303,50 | 1501,50 | 1567,50 | 1545,50 | 484,00 | 330,00 |
| 1900 | 1270,50 | 1336,50 | 1540,00 | 1611,50 | 1578,50 | 506,00 | 330,00 |
| 2000 | 1303,50 | 1375,00 | 1584,00 | 1655,50 | 1611,50 | 533,50 | 330,00 |
| 2100 | 1369,50 | 1446,50 | 1661,00 | 1732,50 | 1677,50 | 561,00 | 330,00 |
| 2200 | 1402,50 | 1479,50 | 1699,50 | 1775,50 | 1716,00 | 583,00 | 330,00 |
| 2300 | 1474,00 | 1551,00 | 1771,00 | 1853,50 | 1782,00 | 583,00 | 330,00 |
| 2400 | 1501,50 | 1584,00 | 1809,50 | 1892,00 | 1815,00 | 610,50 | 330,00 |
| 2500 | 1567,50 | 1650,00 | 1881,00 | 1969,00 | 1881,00 | 632,50 | 396,00 |
| 2600 | 1606,00 | 1694,00 | 1930,50 | 2018,50 | 1919,50 | 660,00 | 396,00 |
| 2700 | 1672,00 | 1760,00 | 2002,00 | 2090,00 | 1991,00 | 687,50 | 396,00 |
| 2800 | 1710,50 | 1798,50 | 2046,00 | 2106,50 | 2024,00 | 709,50 | 396,00 |
| 2900 | 1765,50 | 1848,00 | 2090,00 | 2150,50 | 2079,00 | 737,00 | 396,00 |

Zawiesia ła kuchowe do okapu przy ciennego 2 x 1 m. dost pne za dopłat 30 zł.

Okap przy cienny
indukcyjny
DC 1020

Cennik

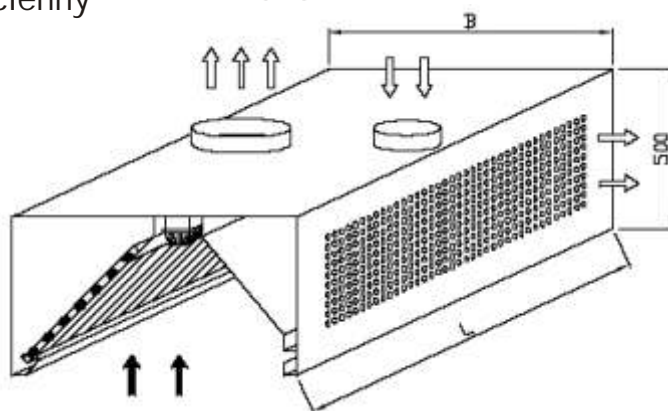


| L\B (mm) | CD 1020 cena zł/szt. netto | | | | | Wyposażenie zł/kpl | |
|-------------|----------------------------|---------|---------|---------|---------|--------------------|-------------|
| | 600 | 700 | 900 | 1000 | 1200 | Filtry | Oświetlenie |
| 1400 | 1540,00 | 1721,50 | 1831,50 | 1936,00 | 1936,00 | 308,00 | 275,00 |
| 1475 | 1622,50 | 1804,00 | 1914,00 | 2018,50 | 2018,50 | 330,00 | 275,00 |
| 1540 | 1694,00 | 1881,00 | 1991,00 | 2101,00 | 2101,00 | 357,50 | 275,00 |
| 1615 | 1776,50 | 1963,50 | 2073,50 | 2183,50 | 2183,50 | 379,50 | 275,00 |
| 1685 | 1853,50 | 2040,50 | 2150,50 | 2260,50 | 2260,50 | 407,00 | 275,00 |
| 1750 | 1925,00 | 2117,50 | 2227,50 | 2343,00 | 2343,00 | 434,50 | 275,00 |
| 1825 | 2007,50 | 2200,00 | 2315,50 | 2425,50 | 2425,50 | 456,50 | 330,00 |
| 1915 | 2106,50 | 2085,00 | 2409,00 | 2524,50 | 2524,50 | 484,00 | 330,00 |
| 2005 | 2205,50 | 2180,00 | 2413,50 | 2629,00 | 2629,00 | 506,00 | 330,00 |
| 2075 | 2282,50 | 2250,00 | 2590,50 | 2706,00 | 2706,00 | 533,50 | 330,00 |
| 2145 | 2359,50 | 2320,00 | 2667,50 | 2788,50 | 2788,50 | 561,00 | 330,00 |
| 2215 | 2436,50 | 2395,00 | 2750,00 | 2871,00 | 2871,00 | 580,00 | 330,00 |
| 2370 | 2607,00 | 2550,00 | 2926,00 | 3040,40 | 3040,40 | 610,50 | 330,00 |
| 2530 | 2783,00 | 2710,00 | 3102,00 | 3223,00 | 3223,00 | 643,50 | 396,00 |
| 2600 | 2860,00 | 2780,00 | 3184,50 | 3305,50 | 3305,50 | 660,00 | 396,00 |
| 2670 | 2937,00 | 2855,00 | 3261,50 | 3388,00 | 3388,00 | 687,50 | 396,00 |
| 2750 | 3025,00 | 2935,00 | 3360,50 | 3470,50 | 3470,50 | 709,50 | 396,00 |
| 2890 | 3179,00 | 3005,00 | 3432,00 | 3553,00 | 3553,00 | 737,00 | 396,00 |

Zawiesia ła kuchowe do okapu przy ciennego 2 x 1 m. dostępne za dopłat 30 zł.

Okap przy cienny
indukcyjny
DC 1021

Cennik

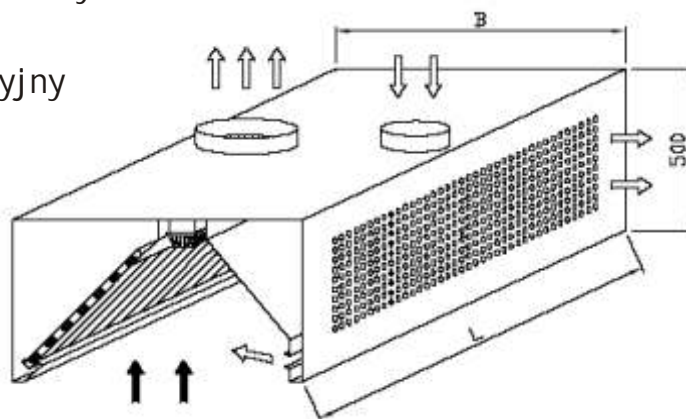


| L \ B (mm) | DC 1021 cena zł/szt. netto | | | | Wyposażenie zł/kpl | |
|---------------|----------------------------|------|------|------|--------------------|-------------|
| | 900 | 1000 | 1100 | 1200 | Filtry | O wietlenie |
| 1200 | 1463 | 1639 | 1743 | 1842 | 308,00 | 275,00 |
| 1300 | 1545 | 1716 | 1820 | 1919 | 330,00 | 275,00 |
| 1400 | 1611 | 1787 | 1892 | 1886 | 357,50 | 275,00 |
| 1500 | 1688 | 1870 | 1974 | 2079 | 379,50 | 275,00 |
| 1600 | 1765 | 1941 | 2046 | 2150 | 407,00 | 275,00 |
| 1700 | 1831 | 2013 | 2117 | 2227 | 434,50 | 275,00 |
| 1800 | 1908 | 2090 | 2200 | 2304 | 456,50 | 330,00 |
| 1900 | 2002 | 2183 | 2293 | 2403 | 484,00 | 330,00 |
| 2000 | 2095 | 2282 | 2392 | 2502 | 506,00 | 330,00 |
| 2100 | 2172 | 2354 | 2464 | 2574 | 533,50 | 330,00 |
| 2200 | 2244 | 2425 | 2535 | 2651 | 561,00 | 330,00 |
| 2300 | 2315 | 2508 | 2612 | 2728 | 580,00 | 330,00 |
| 2400 | 2480 | 2667 | 2783 | 2893 | 610,50 | 330,00 |
| 2500 | 2645 | 2832 | 2948 | 3063 | 643,50 | 396,00 |
| 2600 | 2717 | 2909 | 3030 | 3140 | 660,00 | 396,00 |
| 2700 | 2794 | 2986 | 3102 | 3223 | 687,50 | 396,00 |
| 2800 | 2876 | 3069 | 3195 | 3300 | 709,50 | 396,00 |
| 2900 | 3025 | 3140 | 3261 | 3377 | 737,00 | 396,00 |

Zawiesia ła kuchowe do okapu przy ciennego 2 x 1 m. dost pne za dopłat 30 zł.

Cennik

Okap przy cienny
indukcyjny
-kompensacyjny
DC 1022

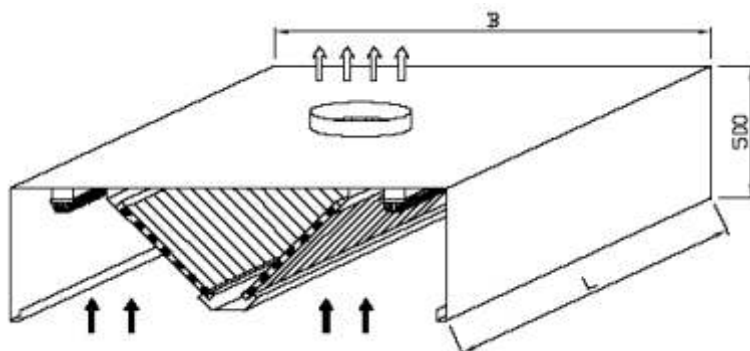


| L \ B (mm) | DC 1022 cena zł/szt. netto | | | | Wyposażenie zł/kpl | |
|---------------|----------------------------|------|------|------|--------------------|-------------|
| | 900 | 1000 | 1100 | 1200 | Filtry | Oświetlenie |
| 1200 | 1683 | 1886 | 2007 | 2123 | 308,00 | 275,00 |
| 1300 | 1782 | 1974 | 2095 | 2211 | 330,00 | 275,00 |
| 1400 | 1853 | 2057 | 2178 | 2299 | 357,50 | 275,00 |
| 1500 | 1947 | 2150 | 2271 | 2392 | 379,50 | 275,00 |
| 1600 | 2035 | 2233 | 2354 | 2475 | 407,00 | 275,00 |
| 1700 | 2035 | 2315 | 2436 | 2563 | 434,50 | 275,00 |
| 1800 | 2106 | 2403 | 2530 | 2651 | 456,50 | 330,00 |
| 1900 | 2200 | 2513 | 2640 | 2766 | 484,00 | 330,00 |
| 2000 | 2304 | 2629 | 2755 | 2882 | 506,00 | 330,00 |
| 2100 | 2414 | 2711 | 2838 | 2964 | 533,50 | 330,00 |
| 2200 | 2502 | 2794 | 2920 | 3052 | 561,00 | 330,00 |
| 2300 | 2858 | 2887 | 3008 | 3140 | 580,00 | 330,00 |
| 2400 | 2667 | 2069 | 3201 | 3327 | 610,50 | 330,00 |
| 2500 | 2854 | 3261 | 3393 | 3525 | 643,50 | 396,00 |
| 2600 | 3047 | 3349 | 3487 | 3613 | 660,00 | 396,00 |
| 2700 | 3129 | 3437 | 3569 | 3707 | 687,50 | 396,00 |
| 2800 | 3311 | 3531 | 3679 | 3795 | 709,50 | 396,00 |
| 2900 | 3481 | 3613 | 3751 | 3888 | 737,00 | 396,00 |

Zawiesia ła kuchowe do okapu przy ciennego 2 x 1 m. dost pne za dopłat 30 zł.

Okap centralny
DC 1030

Cennik

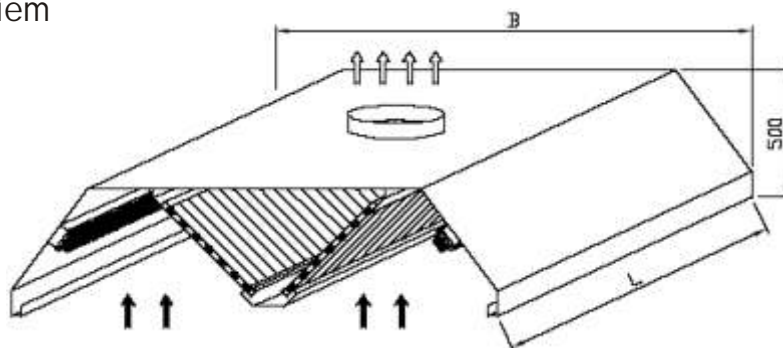


| L \ B (mm) | DC 1030 cena zł/szt. netto | | | | | Wyposażenie zł/kpl | |
|---------------|----------------------------|------|------|------|------|--------------------|-------------|
| | 1200 | 1600 | 1800 | 2000 | 2200 | Filtry | O wietlenie |
| 1000 | 1430 | 1661 | 1826 | 1958 | 2123 | 506 | 528 |
| 1100 | 1474 | 1716 | 1881 | 2018 | 2183 | 561 | 528 |
| 1200 | 1523 | 1771 | 1947 | 2084 | 2260 | 610 | 528 |
| 1300 | 1650 | 1936 | 2117 | 2271 | 2447 | 660 | 528 |
| 1400 | 1705 | 1996 | 2183 | 2337 | 2519 | 709 | 528 |
| 1500 | 1749 | 2024 | 2211 | 2376 | 2563 | 759 | 528 |
| 1600 | 1760 | 2062 | 2249 | 2409 | 2601 | 814 | 528 |
| 1700 | 1815 | 2117 | 2315 | 2475 | 2673 | 863 | 528 |
| 1800 | 1865 | 2178 | 2376 | 2546 | 2744 | 913 | 627 |
| 1900 | 1925 | 2233 | 2436 | 2612 | 2816 | 962 | 627 |
| 2000 | 1969 | 2293 | 2502 | 2678 | 2887 | 1012 | 627 |
| 2100 | 2046 | 2376 | 2590 | 2805 | 3014 | 1067 | 627 |
| 2200 | 2095 | 2436 | 2640 | 2871 | 3085 | 1116 | 627 |
| 2300 | 2172 | 2524 | 2744 | 2970 | 3190 | 1166 | 627 |
| 2400 | 2222 | 2579 | 2810 | 3036 | 3261 | 1215 | 627 |
| 2500 | 2304 | 2673 | 2904 | 3129 | 3366 | 1265 | 726 |
| 2600 | 2348 | 2722 | 2959 | 3195 | 3432 | 1320 | 726 |
| 2700 | 2425 | 2810 | 3052 | 3294 | 3531 | 1369 | 726 |
| 2800 | 2475 | 2871 | 3113 | 3360 | 3602 | 1419 | 726 |
| 2900 | 2546 | 2942 | 3184 | 3426 | 3679 | 1468 | 726 |

Zawiesia ła kuchowe do okapu przy cienkiego 4 x 1 m. dost pne za dopłat 60 zł.

Okap centralny
ze ci ciem
DC 1031

Cennik

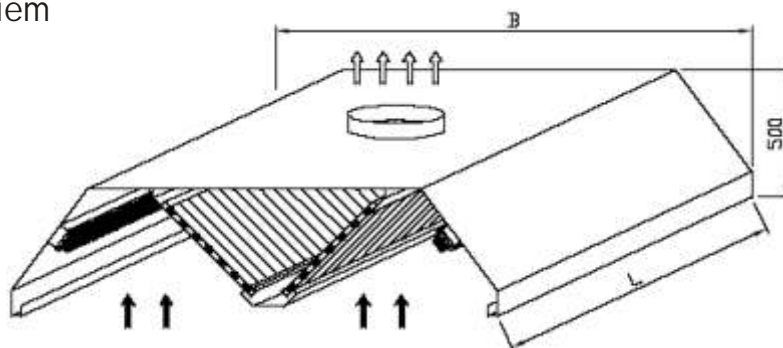


| L \ B (mm) | DC 1031 cena zł/szt. netto | | | | | Wyposażenie zł/kpl | |
|---------------|----------------------------|------|------|------|------|--------------------|-------------|
| | 1200 | 1600 | 1800 | 2000 | 2200 | Filtry | Oświetlenie |
| 1000 | 1370 | 1595 | 1777 | 1903 | 2063 | 506 | 528 |
| 1100 | 1403 | 1634 | 1832 | 1958 | 2123 | 561 | 528 |
| 1200 | 1447 | 1683 | 1903 | 2024 | 2189 | 610 | 528 |
| 1300 | 1557 | 1826 | 1997 | 2145 | 2310 | 660 | 528 |
| 1400 | 1612 | 1881 | 1958 | 2205 | 2376 | 709 | 528 |
| 1500 | 1350 | 1909 | 2085 | 2238 | 2415 | 759 | 528 |
| 1600 | 1667 | 1942 | 2118 | 2266 | 2448 | 814 | 528 |
| 1700 | 1705 | 1986 | 2173 | 2321 | 2508 | 863 | 528 |
| 1800 | 1749 | 2064 | 2228 | 2387 | 2574 | 913 | 627 |
| 1900 | 1804 | 2096 | 2288 | 2447 | 2640 | 962 | 627 |
| 2000 | 1843 | 2145 | 2343 | 2508 | 2701 | 1012 | 627 |
| 2100 | 1914 | 2222 | 2420 | 2623 | 2816 | 1067 | 627 |
| 2200 | 1958 | 2272 | 2475 | 2678 | 2877 | 1116 | 627 |
| 2300 | 2030 | 2354 | 2558 | 2772 | 2976 | 1166 | 627 |
| 2400 | 2074 | 2404 | 2624 | 2832 | 3042 | 1215 | 627 |
| 2500 | 2151 | 2492 | 2706 | 2915 | 3135 | 1265 | 726 |
| 2600 | 2184 | 2534 | 2756 | 2975 | 3194 | 1320 | 726 |
| 2700 | 2261 | 2618 | 2844 | 3069 | 3289 | 1369 | 726 |
| 2800 | 2305 | 2673 | 2899 | 3124 | 3350 | 1419 | 726 |
| 2900 | 2387 | 2755 | 2981 | 3206 | 3449 | 1468 | 726 |

Zawiesia ła kuchowe do okapu przy ciennego 4 x 1 m. dost pne za dopłat 60 zł.

Okap centralny
ze ci ciem
DC 1031

Cennik

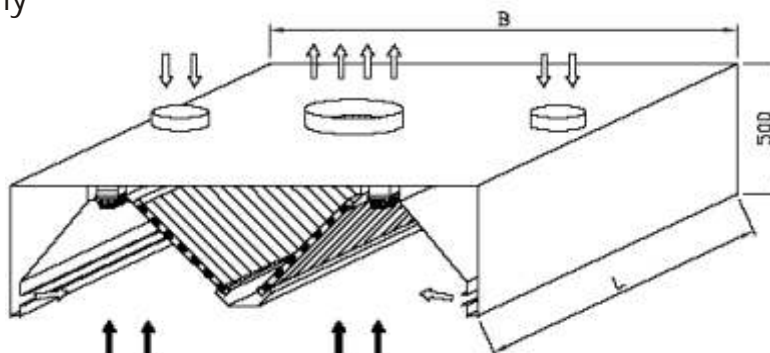


| L \ B (mm) | DC 1032 cena zł/szt. netto | | | | | Wyposa enie zł/kpl | |
|---------------|----------------------------|------|------|------|------|--------------------|-------------|
| | 1200 | 1600 | 1800 | 2000 | 2200 | Filtry | O wietlenie |
| 1000 | 1370 | 1595 | 1777 | 1903 | 2063 | 506 | 528 |
| 1100 | 1403 | 1634 | 1832 | 1958 | 2123 | 561 | 528 |
| 1200 | 1447 | 1683 | 1903 | 2024 | 2189 | 610 | 528 |
| 1300 | 1557 | 1826 | 1997 | 2145 | 2310 | 660 | 528 |
| 1400 | 1612 | 1881 | 1958 | 2205 | 2376 | 709 | 528 |
| 1500 | 1350 | 1909 | 2085 | 2238 | 2415 | 759 | 528 |
| 1600 | 1667 | 1942 | 2118 | 2266 | 2448 | 814 | 528 |
| 1700 | 1705 | 1986 | 2173 | 2321 | 2508 | 863 | 528 |
| 1800 | 1749 | 2064 | 2228 | 2387 | 2574 | 913 | 627 |
| 1900 | 1804 | 2096 | 2288 | 2447 | 2640 | 962 | 627 |
| 2000 | 1843 | 2145 | 2343 | 2508 | 2701 | 1012 | 627 |
| 2100 | 1914 | 2222 | 2420 | 2623 | 2816 | 1067 | 627 |
| 2200 | 1958 | 2272 | 2475 | 2678 | 2877 | 1116 | 627 |
| 2300 | 2030 | 2354 | 2558 | 2772 | 2976 | 1166 | 627 |
| 2400 | 2074 | 2404 | 2624 | 2832 | 3042 | 1215 | 627 |
| 2500 | 2151 | 2492 | 2706 | 2915 | 3135 | 1265 | 726 |
| 2600 | 2184 | 2534 | 2756 | 2975 | 3194 | 1320 | 726 |
| 2700 | 2261 | 2618 | 2844 | 3069 | 3289 | 1369 | 726 |
| 2800 | 2305 | 2673 | 2899 | 3124 | 3350 | 1419 | 726 |
| 2900 | 2387 | 2755 | 2981 | 3206 | 3449 | 1468 | 726 |

Zawiesia ła cuchow e do okapu przy ciennego 4 x 1 m. dost pne za dopłat 60 zł.

Okap centralny
indukcyjny
DC 1042

Cennik

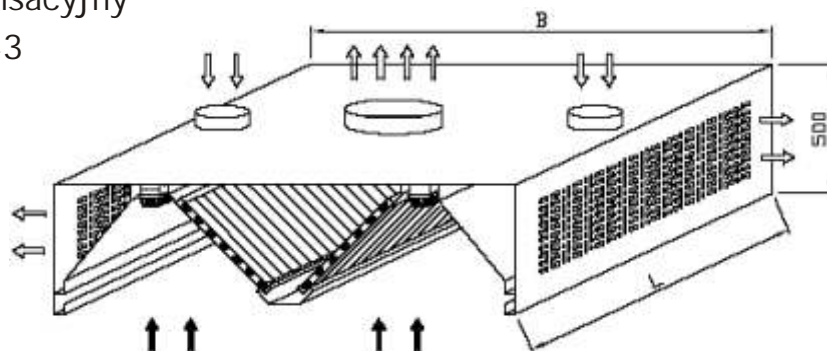


| L \ B (mm) | DC 1042 cena zł/szt. netto | | | Wyposażenie zł/kpl | |
|---------------|----------------------------|------|------|--------------------|-------------|
| | 1800 | 2000 | 2200 | Filtry | O wietlenie |
| 1200 | 3603 | 3861 | 4186 | 610 | 528 |
| 1300 | 3922 | 4207 | 4532 | 660 | 528 |
| 1400 | 4043 | 4328 | 4664 | 709 | 528 |
| 1500 | 4092 | 4400 | 4747 | 759 | 528 |
| 1600 | 4164 | 4460 | 4818 | 814 | 528 |
| 1700 | 4285 | 4581 | 4950 | 863 | 528 |
| 1800 | 4400 | 4713 | 5082 | 913 | 627 |
| 1900 | 4510 | 4834 | 5214 | 962 | 627 |
| 2000 | 4631 | 4955 | 5346 | 1012 | 627 |
| 2100 | 4796 | 5192 | 5577 | 1067 | 627 |
| 2200 | 4906 | 5313 | 5709 | 1116 | 627 |
| 2300 | 5085 | 5494 | 5902 | 1166 | 627 |
| 2400 | 5203 | 4521 | 6369 | 1215 | 627 |
| 2500 | 5374 | 4691 | 6232 | 1265 | 726 |
| 2600 | 5478 | 4812 | 6353 | 1320 | 726 |
| 2700 | 5649 | 6099 | 6534 | 1369 | 726 |
| 2800 | 5764 | 6220 | 6666 | 1419 | 726 |
| 2900 | 5896 | 6341 | 6809 | 1468 | 726 |

Zawiesia ła kuchowe do okapu przy ciennego 4 x 1 m. dost pne za dopłat 60 zł.

Cennik

Okap centralny
kompensacyjny
DC 1043

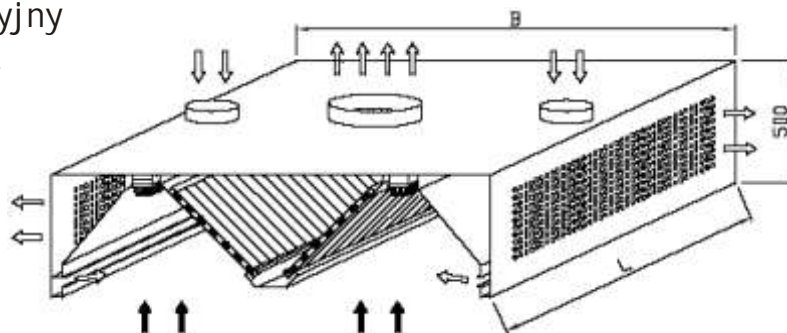


| L\B (mm) | DC 1043 cena zł/szt. netto | | | Wyposażenie zł/kpl | |
|-------------|----------------------------|------|------|--------------------|-------------|
| | 1800 | 2000 | 2200 | Filtry | Oświetlenie |
| 1200 | 3460 | 3707 | 4021 | 610 | 528 |
| 1300 | 3768 | 4042 | 4356 | 660 | 528 |
| 1400 | 3883 | 4158 | 4483 | 709 | 528 |
| 1500 | 3933 | 4224 | 4560 | 759 | 528 |
| 1600 | 3999 | 4284 | 4626 | 814 | 528 |
| 1700 | 4114 | 4400 | 4752 | 863 | 528 |
| 1800 | 4224 | 4526 | 4884 | 913 | 627 |
| 1900 | 4334 | 4642 | 5011 | 962 | 627 |
| 2000 | 4450 | 4757 | 5137 | 1012 | 627 |
| 2100 | 4609 | 4988 | 5357 | 1067 | 627 |
| 2200 | 4715 | 5104 | 5785 | 1116 | 627 |
| 2300 | 4884 | 5280 | 5671 | 1166 | 627 |
| 2400 | 5000 | 5401 | 5803 | 1215 | 627 |
| 2500 | 5159 | 5560 | 5984 | 1265 | 726 |
| 2600 | 5264 | 5676 | 6100 | 1320 | 726 |
| 2700 | 5423 | 5857 | 5276 | 1369 | 726 |
| 2800 | 5539 | 5973 | 6402 | 1419 | 726 |
| 2900 | 5665 | 6088 | 6540 | 1468 | 726 |

Zawiesia ła kuchenne do okapu przyściennego 4 x 1 m. dostępne za dopłat 60 zł.

Cennik

Okap centralny
kompensacyjno
- indukcyjny
DC 1044

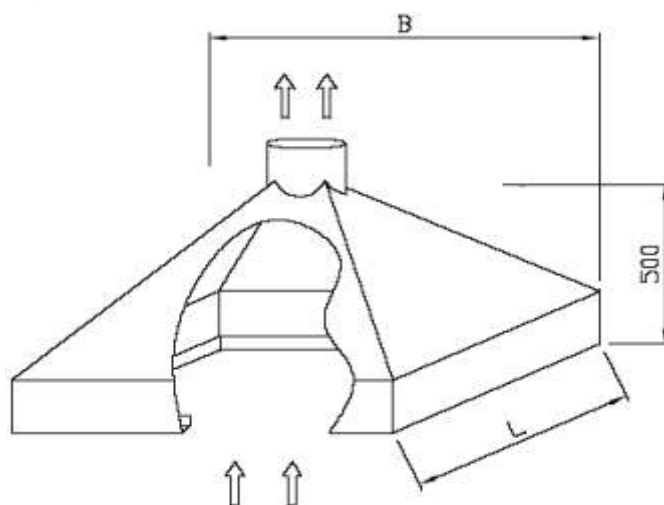


| L\B (mm) | DC 1044 cena zł/szt. netto | | | Wyposażenie zł/kpl | |
|-------------|----------------------------|------|------|--------------------|-------------|
| | 1800 | 2000 | 2200 | Filtry | Oświetlenie |
| 1200 | 3878 | 4152 | 4505 | 610 | 528 |
| 1300 | 4224 | 4532 | 4884 | 660 | 528 |
| 1400 | 4351 | 4658 | 5022 | 709 | 528 |
| 1500 | 4406 | 4735 | 5110 | 759 | 528 |
| 1600 | 4486 | 4801 | 5181 | 814 | 528 |
| 1700 | 4609 | 4928 | 5324 | 863 | 528 |
| 1800 | 4736 | 5071 | 5473 | 913 | 627 |
| 1900 | 4857 | 5203 | 5614 | 962 | 627 |
| 2000 | 4989 | 5329 | 5759 | 1012 | 627 |
| 2100 | 5165 | 5588 | 6001 | 1067 | 627 |
| 2200 | 5280 | 5720 | 6144 | 1116 | 627 |
| 2300 | 5473 | 5917 | 6353 | 1166 | 627 |
| 2400 | 5605 | 6050 | 6501 | 1215 | 627 |
| 2500 | 5781 | 6231 | 6705 | 1265 | 726 |
| 2600 | 5896 | 6358 | 6837 | 1320 | 726 |
| 2700 | 6078 | 6561 | 7029 | 1369 | 726 |
| 2800 | 6204 | 6693 | 7172 | 1419 | 726 |
| 2900 | 6347 | 6820 | 7326 | 1468 | 726 |

Zawiesia ła kuchenne do okapu przy ściennego 4 x 1 m. dost pnie za dopłat 60 zł.

Okap centralny
kopertowy
DC 1050

Cennik



| L \ B (mm) | DC 1050 cena zł/szt. netto | | | |
|---------------|----------------------------|------|------|------|
| | 1200 | 1500 | 1800 | 2200 |
| 1000 | 2178 | 2442 | 2739 | 3069 |
| 1100 | 2288 | 2563 | 2871 | 3218 |
| 1200 | 2415 | 2706 | 3036 | 3405 |
| 1300 | 2552 | 2860 | 3207 | 3592 |
| 1400 | 2701 | 3025 | 3388 | 3795 |
| 1500 | 2860 | 3206 | 3592 | 4026 |
| 1600 | 3031 | 3399 | 3812 | 4227 |
| 1700 | 3212 | 3602 | 4037 | 4527 |
| 1800 | 3405 | 3817 | 4158 | 4796 |
| 1900 | 3608 | 4042 | 4532 | 5077 |
| 2000 | 3823 | 4284 | 4802 | 5379 |
| 2100 | 4048 | 4537 | 5082 | 5693 |
| 2200 | 4285 | 4801 | 5379 | 6028 |
| 2300 | 4532 | 5076 | 5687 | 6375 |
| 2400 | 4791 | 5368 | 6017 | 6743 |
| 2500 | 5060 | 5670 | 6353 | 7117 |
| 2600 | 5341 | 5784 | 6705 | 7513 |
| 2700 | 5632 | 6308 | 7068 | 7920 |
| 2800 | 5932 | 6649 | 7468 | 8349 |
| 2900 | 6248 | 7001 | 7843 | 7889 |

Zawiesia ła kuchowe do okapu przy ciennego 4 x 1 m. dost pne za dopłat 60 zł.

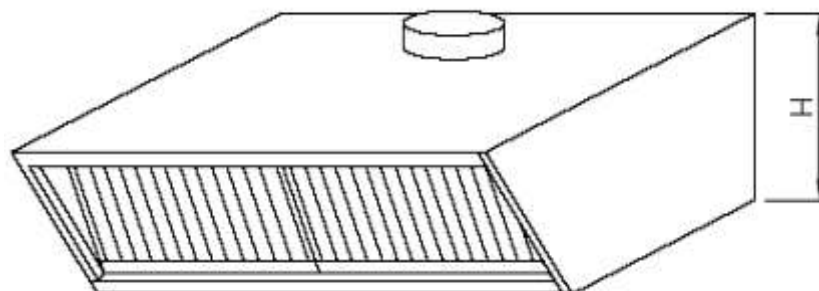


STAR WENT Dom Handlowy

produkcja, montaż, pomiary, projekty, konserwacja, handel
wentylacja, klimatyzacja, czyszczenie kanałów

Okap centralny
kopertowy
DC 1050

Cennik



DC 1042 cena zł/szt. netto

| L/B (mm) | 1200 | H mm |
|-------------|---------|---------|
| 900 | 3729,00 | 420 |